

**DESCRIPTION:**

INTERIOR WALL-WALL  
DOOR JAMB-WALL RIPPING  
END CAP-WALL

DATE: 10/5/04

DRAWN: BLG

SCALE: 1:5

SHEET:

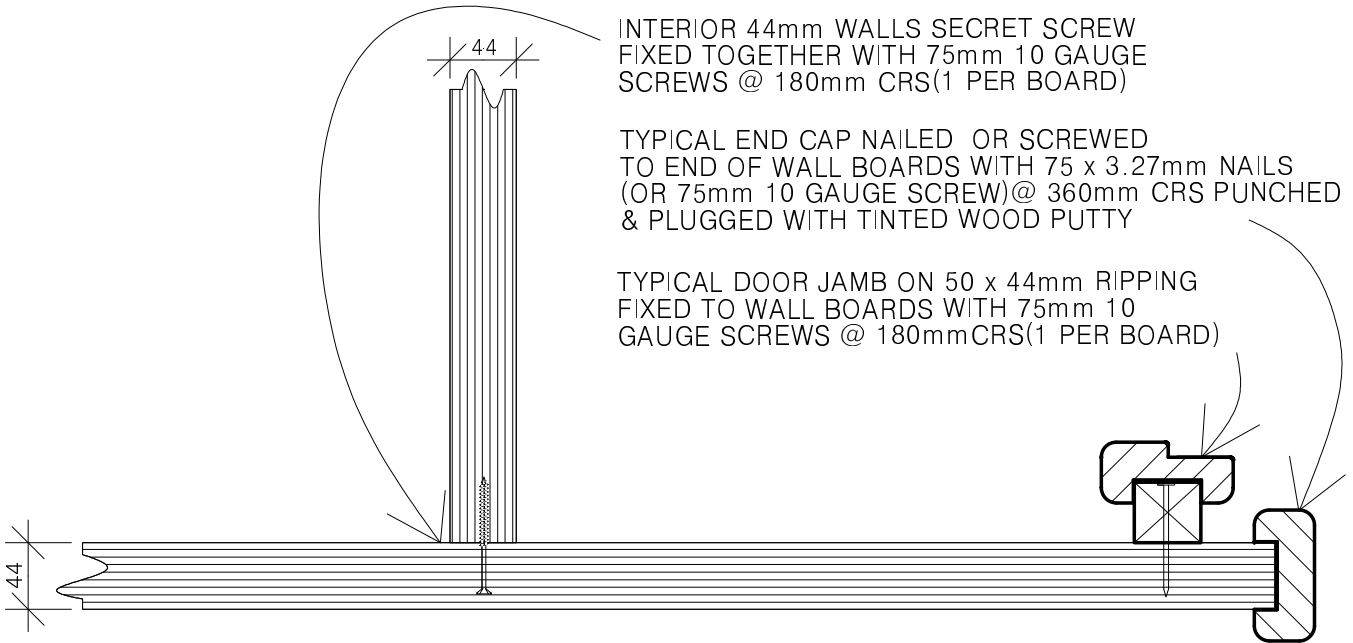
5

**NOTE-** ANY DEFECTS TO BOARDS ARE TO BE POSSITIONED SUCH THAT THE WORSE SIDE OF THE BOARD IS NOT SEEN, i.e. OUTSIDE FACE OF EXTERIOR WALLS, INSIDE OF WARDROBES OR BEHIND PANTRY

INTERIOR 44mm WALLS SECRET SCREW  
FIXED TOGETHER WITH 75mm 10 GAUGE  
SCREWS @ 180mm CRS(1 PER BOARD)

TYPICAL END CAP NAILED OR SCREWED  
TO END OF WALL BOARDS WITH 75 x 3.27mm NAILS  
(OR 75mm 10 GAUGE SCREW)@ 360mm CRS PUNCHED  
& PLUGGED WITH TINTED WOOD PUTTY

TYPICAL DOOR JAMB ON 50 x 44mm RIPPING  
FIXED TO WALL BOARDS WITH 75mm 10  
GAUGE SCREWS @ 180mm CRS(1 PER BOARD)



© Frontier Solid Wood Homes Ltd 2003

**NOTES:**